

MOBILE / TRACK CRUSHING JAW CRUSHER PLANTS



CK3242

- GIGANTIC 32" x 42" FEED OPENING Jaw Crusher: Complete with V-Belt drives, and adjustable motor base. The jaw crusher has separate Hydraulic Power pack which allows for simple hydraulic adjustment.
- A "TURN KEY DESIGN" INCLUDES A NEW apprx. 350 HP JOHN DEERE(OR EQUIVALENT) DIESEL POWER PLANT with HEAVY DUTY HYDRAULIC POWER PACK. "NO CLUTCH DESIGN".
- 42" X approx. 25' Under Crusher front discharge conveyor, Complete with hydraulic power.



CK2236

- 22" x 36" FEED OPENING Jaw Crusher: Complete with V-Belt drives, and adjustable motor base. The jaw crusher has separate Hydraulic Power pack which allows for simple hydraulic adjustment.
- A "TURN KEY DESIGN" INCLUDES A NEW apprx. 250 HP JOHN DEERE(OR EQUIVALENT) DIESEL POWER PLANT with HEAVY DUTY HYDRAULIC POWER PACK. "NO CLUTCH DESIGN".
- 30" X approx. 25' Under Crusher front discharge conveyor, Complete with hydraulic power.

STANDARD FEATURES

- A bolt on HEAVY DUTY ROCK BOX is mounted over the jaw. It features a "hinged" cover that allows operators to open the cover for visual inspections without removing the rock box.
- "RADIO REMOTE CONTROL OPERATION." VARIABLE SPEED FEEDER, SIDE DISCHARGE CONVEYOR, FRONT DISCHARGE CONVEYOR, TRACK CONTROL AND CRUSHER OPERATION ALL OPERATE BY REMOTE!!!
- COMPLETE Hydraulic system with reservoir. Hydraulics power any and all hydraulic cylinders and all hydraulic components including the track drive system.
- TRACK DRIVE SYSTEM hydraulically controlled from the RADIO REMOTE CONTROL.
- 38" X 12' Vibrating Grizzly Feeder: Hydraulic motor with drive attached to shaft on feeder. BYPASS CHUTE UNDER GRIZZLY FEEDER with UNIQUE "ANTI-CLOGGING" FEATURE.
- HEAVY DUTY ROCK HOPPER made from Plate STEEL. Low profile design mounted independent of feeder AND REMOVEABLE. Heavy Duty supports and cross bracing.
- CATWALKS, LADDER(s), OPERATOR'S PLATFORM AND GUARDING.
- One Primer Coat & Two Finish Coats of Paint
- Primed & Painted with Rust Inhibiting Paint.

STANDARD FEATURES AVAILABLE ON CK3242 WHICH ARE OPTIONAL ON CK2236

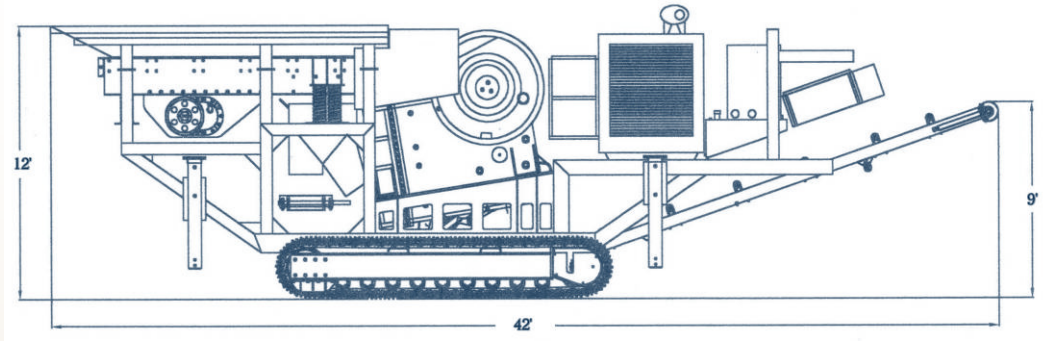
- Under Grizzly BYPASS CHUTE w/ FLOP GATE. Gate can be opened or closed to allow material to fall onto the side conveyor or the front conveyor.
- Under Grizzly Fines side delivery conveyor. Hydraulically folds for transport.
- (4) FOUR Heavy Duty Hydraulic Leveling/Stabilizing Legs.

Legs are hydraulically operated & feature unique swivel design for tracking or transport. The legs are bolted onto the main frame and include feet/pads that are pinned onto the bottom of each. They can be pinned in place at the desired height.

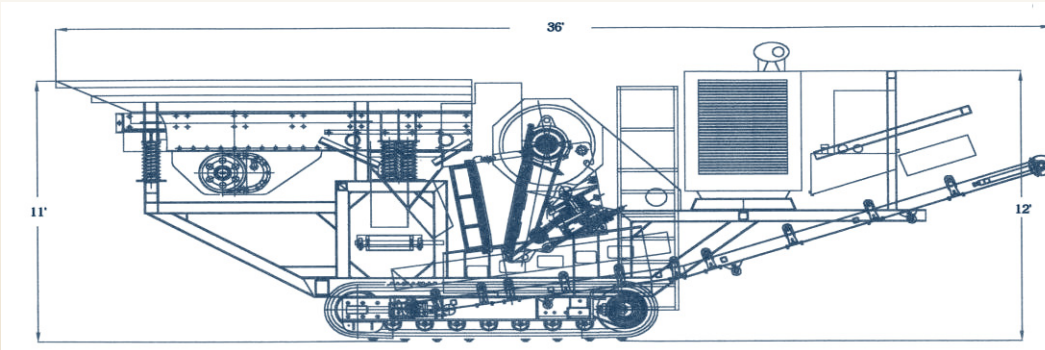
AVAILABLE OPTIONS

- New Cross Belt Self Cleaning Magnet w/ hydraulic motor, separate valve control, fully plumbed and mounted over main conveyor (designed to handle re-bar of various sizes and general metallic debris from concrete recycle material).
- Jaw can be REVERSED for ease of clearing crushing chamber.

CK3242 48 TONS



CK2236 27 TONS



* All photos, specifications, and/or data is approximate and subject to change without notice. Information provided in this brochure is general and for the purpose of presenting an overview of the company, its abilities, and products. Use of material without the express written consent of R.R. is strictly prohibited and subject to penalties.



Hydraulic Leveling Legs



Main Conveyor



Optional Magnet



Side Dirt Conveyor



Power Unit



Flop Gate Chute



Radio Remote Control



Adj. Vibrating Grizzly Feeder

THE R.R. DIFFERENCE

- **VALUE** OUR PRICES ARE UNBEATABLE
- **SAVINGS** BUY FACTORY DIRECT. NO MIDDLEMAN
- **EXPERTISE** WE INVENT, MANUFACTURE & SELL WORLDWIDE
- **VARIETY** FROM ATTACHMENTS TO COMPLETE CRUSHING PLANTS, WE OFFER THE LARGEST RANGE OF PRODUCTS TO MATCH ANY BUDGET

FOR MORE INFORMATION OR TO SCHEDULE A DEMO:
5550 CHARLOTTE HWY . LANCASTER, SC . 29720
(803)416-5200, PHONE . (803) 416-5202, FAX
SALES@RREQUIPMENT.COM . WWW.RREQUIPMENT.COM